

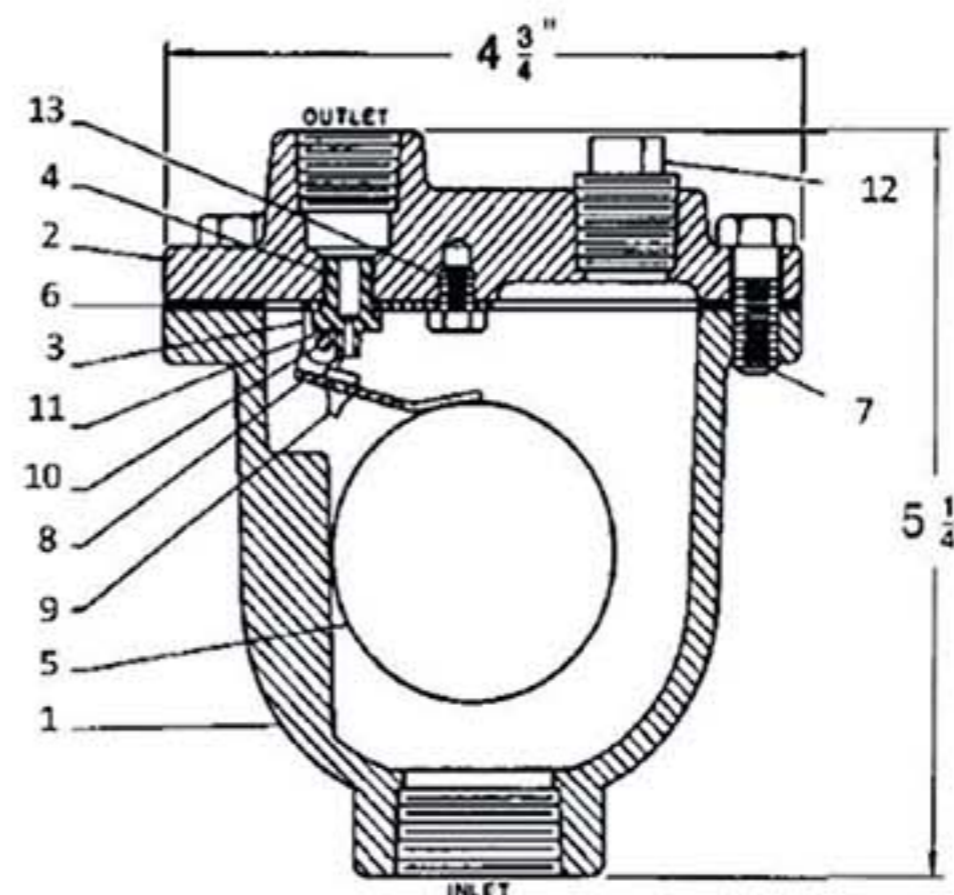
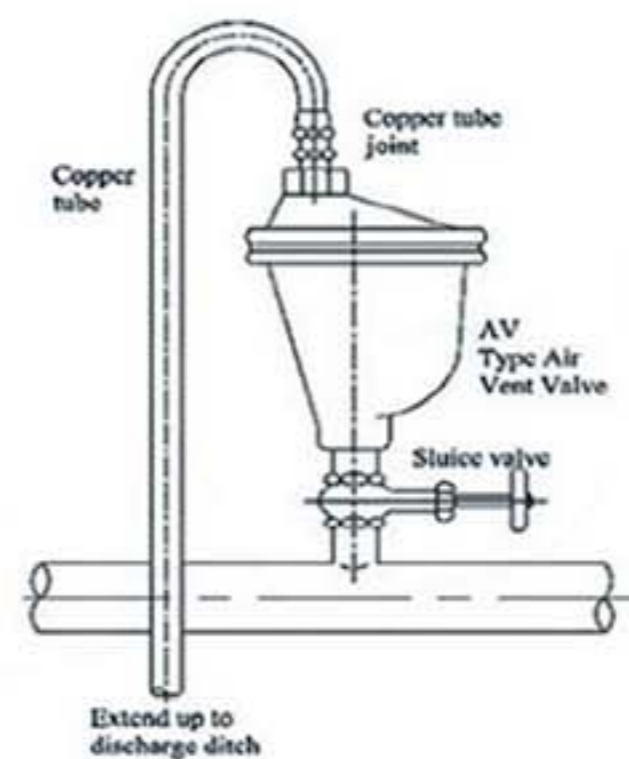
AIR VENT VALVE



AUTOMATIC AIR VENT VALVE SCREWED ENDS

FEATURE AND APPLICATION

- Material conform to relevant ASTM standard. BS star in an approximate equivalent.
- Float Type
- Ball Stainless Steel
- Applicable Medium : Water , Oil
- BSPT inlet and outlet are available
- Max.Working Pressure : 232 PSI (16 Bar)
- Max.Working Temperature : 80°C
- Size Range : 1/2" - 1"



Bill of Materials

Seqeybce	Description	Material	Sizes
1	Body	Cast Iron A126	All
2	Cover	Cast Iron A126	All
3	Lever Frane	Stainless Steel	All
4	Seat	Stainless Steel	All
5	Float	Stainless Steel	All
6	Gasket	Non Asbestos	All
7	Cover Bolt	Carbon Steel	All
8	Float ARM	Stainless Steel	All
9	Orifice Button	Fluoroelastomer	All
10	Pivot Pin	Stainless steel	All
11	Pin Retainer	Stainless steel	All
12	Pipe Plug 1/2"	Malleable Iron	All
13	Locator	Stainless Steel	All

Dimensions

mm

DN	INCH	Max. Temp	Inlet Size	Outlet Size	Orifice Size
15	1/2"	(120° c)250° F	1/2"NPT	1/2"NPT	1/16"
20	3/4"	(120° c)250° F	3/4"NPT	1/2"NPT	1/16"
25	1"	(120° c)250° F	1"NPT	1/2"NPT	1/16"